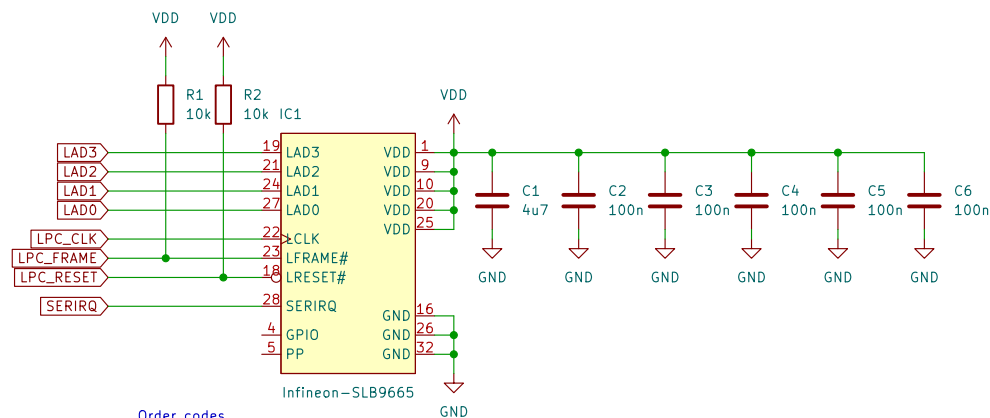
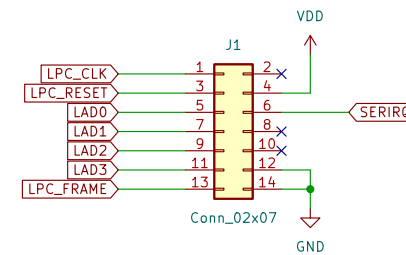


**UNTESTED – COMES WITH NO WARRANTIES OR PROMISES  
THIS MIGHT KILL YOUR COMPUTER AND SET YOUR HOUSE  
ON FIRE, YOU HAVE BEEN WARNED.**



Order codes  
 SLB9665VQ20FW563XUMA3  
 (standard temp. range)  
 SLB9665XQ20FW563XUMA2  
 (extended temp. range)



1	LPC Clock	2	3V Standby power
3	LPC Reset	4	3.3V Power
5	LPC address & data pin0	6	Serial IRQ
7	LPC address & data pin1	8	5V Power
9	LPC address & data pin2	10	No Pin
11	LPC address & data pin3	12	Ground
13	LPC Frame	14	Ground

<https://github.com/electrolama/tpm-modules>

License: CC0 "No Rights Reserved"

Sheet: /

File: tpm-module-14pin-lpc-RevA1.kicad\_sch

**Title:**

Size: A4

Date:

**Rev:**

KiCad E.D.A. kicad (5.99.0-11126-gb532ecec52)

Id: 1/1