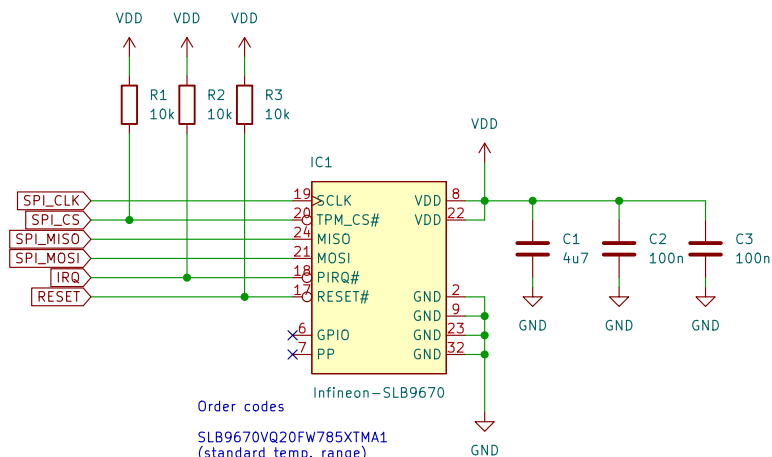
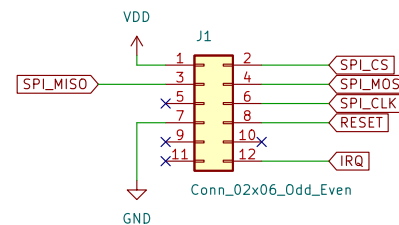


**UNTESTED – COMES WITH NO WARRANTIES OR PROMISES
THIS MIGHT KILL YOUR COMPUTER AND SET YOUR HOUSE
ON FIRE, YOU HAVE BEEN WARNED.**



Order codes
 SLB9670VQ20FW785XTMA1
 (standard temp. range)
 SLB9670XQ20FW785XUMA1
 (extended temp. range)



1	SPI Power	2	SPI Chip Select
3	Master In Slave Out (SPI Data)	4	Master In Slave In (SPI Data)
5	Reserved	6	SPI Clock
7	Ground	8	SPI Reset
9	Reserved	10	No Pin
11	Reserved	12	Interrupt Request

Pinout taken from the user manual for MSI MAG B550M MORTAR WIFI/ MAG B550M MORTAR motherboard

<https://github.com/electrolama/tpm-modules>

License: CC0 "No Rights Reserved"

Sheet: /

File: tpm-module-12pin-spi-RevA1.kicad_sch

Title:

Size: A4

Date:

Rev:

KiCad E.D.A. kicad (5.99.0-11126-gb532ecec52)

Id: 1/1